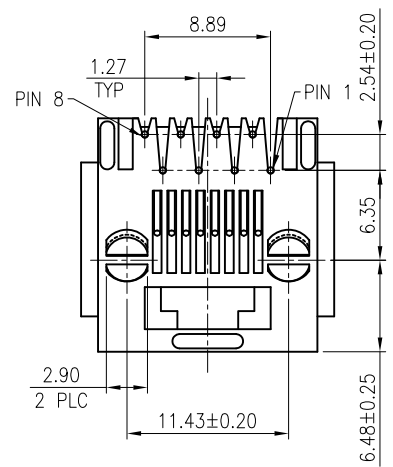
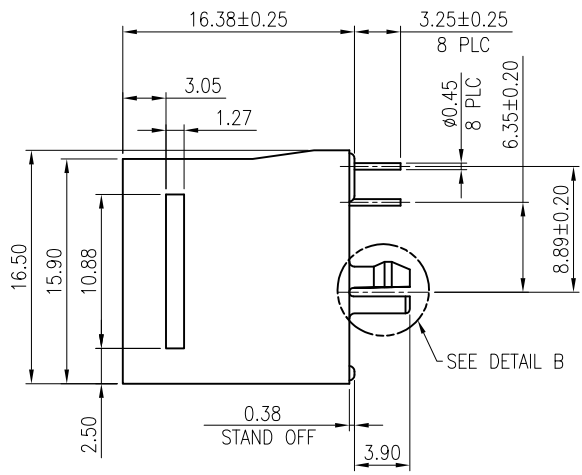
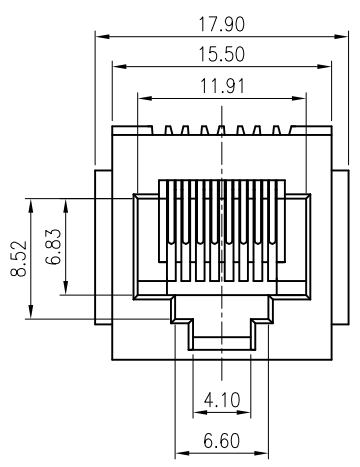
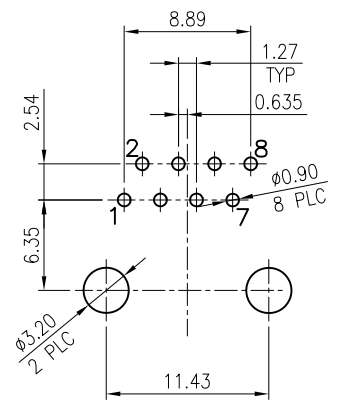
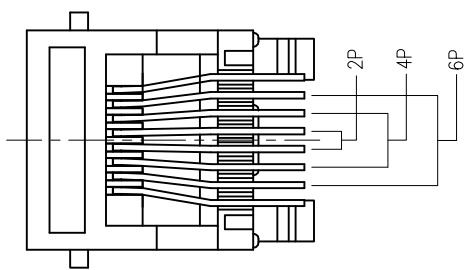
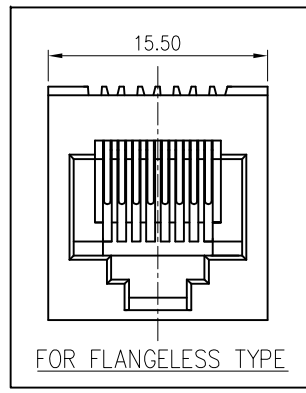


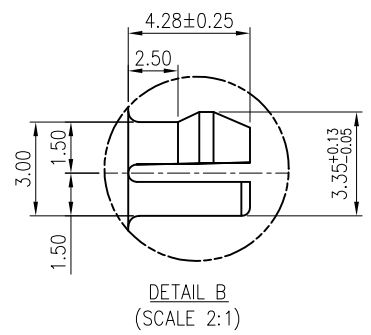
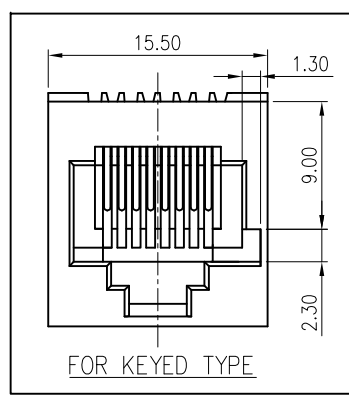
V1.3 NOTE: THIS DEVICE IS ROHS COMPLIANT.

REVISIONS							
SYM	DESCRIPTION	DATE	APPROVED	SYM	DESCRIPTION	DATE	APPROVED
△	REVISE DRAWING	25/NOV/14'	AARON	△			
△	REVISE DRAWING	25/FEB/21'	ABER	△			
**CUSTOMER DRAWING FOR REFERENCE ONLY, SAMPLES APPROVAL ARE REQUIRED!!							121



MATERIAL:
HOUSING: PBT WITH GLASS FIBER. UL94V-0
STANDARD COLOR: BLACK
CONTACT: PHOSPHOR BRONZE

ORDER INFORMATION:
MJK607-P881GXF-K
MJK: MODULAR JACK
607: SERIES NO.
P: PCB TYPE STRAIGHT
88: NO. OF CONTACT, 8P8C
1: COLOR OF PLASTIC, BLACK
GX: TERMINAL PLATING OPTION
-Gf: GOLD FLASH
-G15: 15u" GOLD
-G30: 30u" GOLD
F: FLANGED (OPTION)
K: KEY (OPTION)



TOLERANCES UNLESS OTHERWISE SPECIFIED ±0.25			SIGNATURES		DATE	MODEL
SYMBOL	UNIT	SCALE	DRAWN	AARON	20/NOV/14'	TITLE
△	mm	3/1	CHECKED	ALAN	20/NOV/14'	NO. MODULAR JACK
APPROVALS						NO. MJK607-P881G_F-K
MMT CORPORATION						