

6

5

4

3

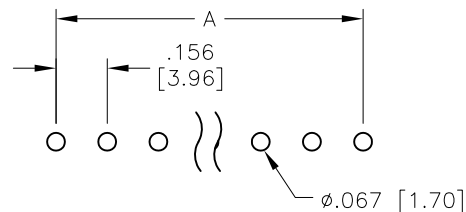
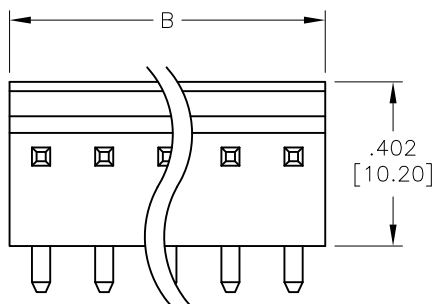
2

1

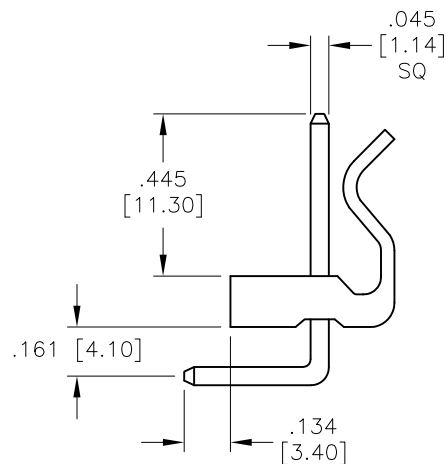
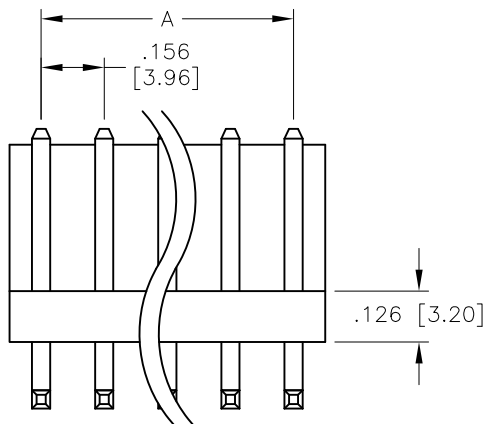
APPROVED: _____

DATE: _____ TITLE: _____

Rev	AWO #	Description	Date	Appr
-		RELEASED	4/12/05	
A		REVISED DIM.	2/11/09	
B		UPDATE spec.	10/24/18	AY/TY



RECOMMENDED PCB LAYOUT



SPECIFICATIONS:

Material:
 Insulator: Nylon 66, rated UL 94V-2
 Insulator color: White
 Contacts: Brass
 Plating:
 Tin over Copper underplate overall
 Electrical:
 Voltage rating: 250V AC/DC
 Current rating: 5 A AC/DC
 Insulation resistance: 1,000 Mohms min
 Dielectric withstanding voltage: 1,500 VAC for 1 minute

Temperature Rating:
 -25°C to +85°C

Environmental:
 Lead free, RoHS compliant



Positions: 2 thru 20

A = .156 [3.96] x No. of (Positions - 1)

B = .156 [3.96] x No. of positions

UNLESS OTHERWISE SPECIFIED
 ALL DIMENSIONS ARE INCHES [MM]
 TOLERANCES: EXCEPT AS NOTED

INCHES		HOLES	
.X	± .10	Ø.X	± .10
.XX	± .020	Ø.XX	± .015
.XXX	± .015	Ø.XXX	± .010

ADAM
TECH
INTERCONNECTS

909 Rahway Avenue,
 Union, NJ 07083
 Phone: 908-687-5000
 Fax: 908-687-5710

APPROVALS		DATE
DRAWN	SS	4/12/05
CHECKED		
APPROVED		

TITLE .156 [3.96] POWER HEADER RIGHT ANGLE, WITH LOCK POLARIZER		
SIZE X	PART NO. LHB-XX-SB1	REV. B
REF: S00016T	SCALE: NTS	SHEET 1 OF 1

6

5

4

3

2

1