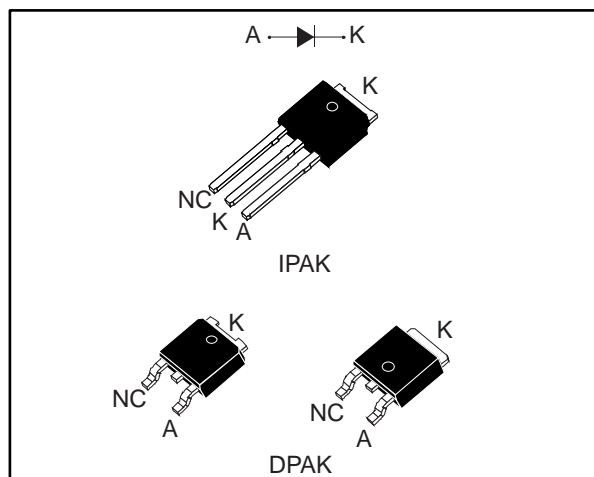


High voltage power Schottky rectifier

Datasheet - production data



Description

This high voltage Schottky barrier rectifier is packaged in DPAK and IPAK and designed for high frequency compact switched mode power supply such as adapters and on board DC-DC converters.

Table 1: Device summary

Symbol	Value
$I_{F(AV)}$	5 A
V_{RRM}	100 V
$T_j(\text{max.})$	175 °C
$V_F(\text{typ.})$	0.57 V

Features

- Negligible switching losses
- High junction temperature capability
- Low leakage current
- Good trade-off between leakage current and forward voltage drop
- Avalanche specification
- ECOPACK[®] compliant component for IPAK and DPAK on demand

1 Characteristics

Table 2: Absolute ratings (limiting values at 25 °C, unless otherwise specified)

Symbol	Parameter		Value	Unit
V _{RRM}	Repetitive peak reverse voltage		100	V
I _{F(RMS)}	RMS forward voltage		10	A
I _{F(AV)}	Average forward current, δ = 0.5, square wave	T _C = 165 °C	5	A
I _{FSM}	Surge non repetitive forward current	t _p = 10 ms sinusoidal	75	A
P _{ARM}	Repetitive peak avalanche power	t _p = 10 μs, T _j = 125 °C	515	W
T _{stg}	Storage temperature range		-65 to +175	°C
T _j	Maximum operating junction temperature ⁽¹⁾		175	°C

Notes:

⁽¹⁾(dP_{tot}/dT_j) < (1/R_{th(j-a)}) condition to avoid thermal runaway for a diode on its own heatsink.

Table 3: Thermal parameters

Symbol	Parameter	Max. value	Unit
R _{th(j-c)}	Junction to case	2.5	°C/W

Table 4: Static electrical characteristics

Symbol	Parameter	Test conditions		Min.	Typ.	Max.	Unit
I _R ⁽¹⁾	Reverse leakage current	T _j = 25 °C	V _R = V _{RRM}	-		3.5	μA
		T _j = 125 °C		-	1.3	4.5	mA
V _F ⁽²⁾	Forward voltage drop	T _j = 25 °C	I _F = 5 A	-		0.73	V
		T _j = 125 °C		-	0.57	0.61	
		T _j = 25 °C	I _F = 10 A	-		0.85	
		T _j = 125 °C		-	0.66	0.71	

Notes:

⁽¹⁾Pulse test: t_p = 5 ms, δ < 2%

⁽²⁾Pulse test: t_p = 380 μs, δ < 2%

To evaluate the conduction losses, use the following equation:

$$P = 0.51 \times I_{F(AV)} + 0.02 \times I_{F(RMS)}^2$$

1.1 Characteristics (curves)

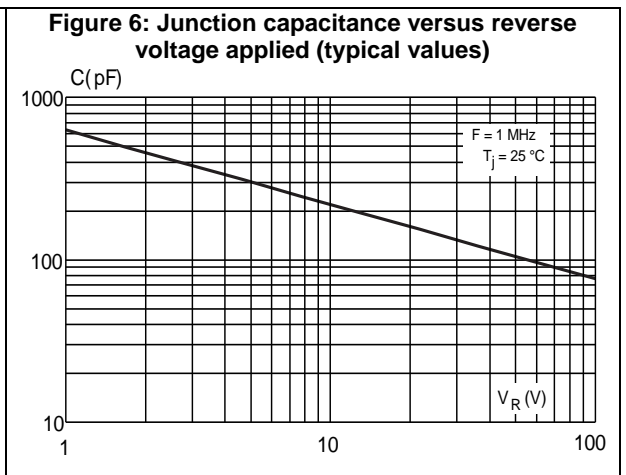
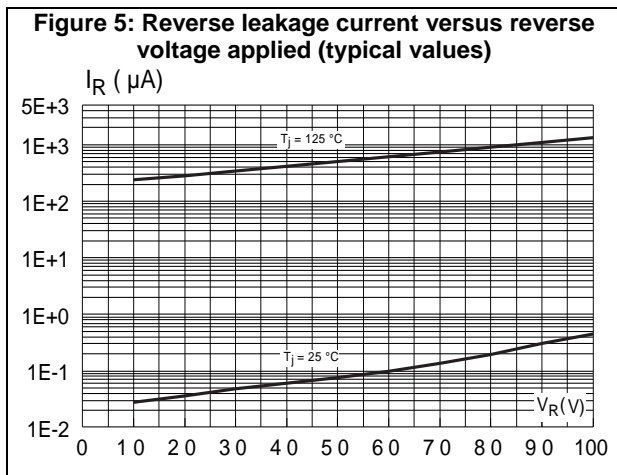
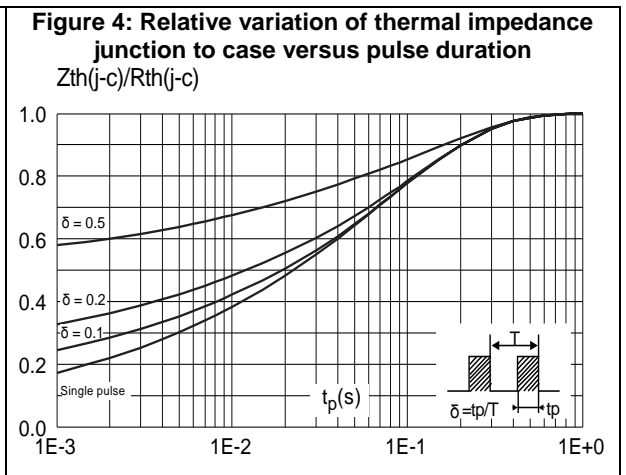
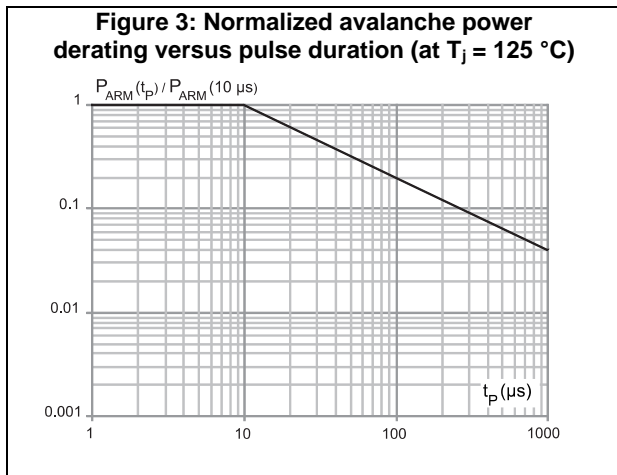
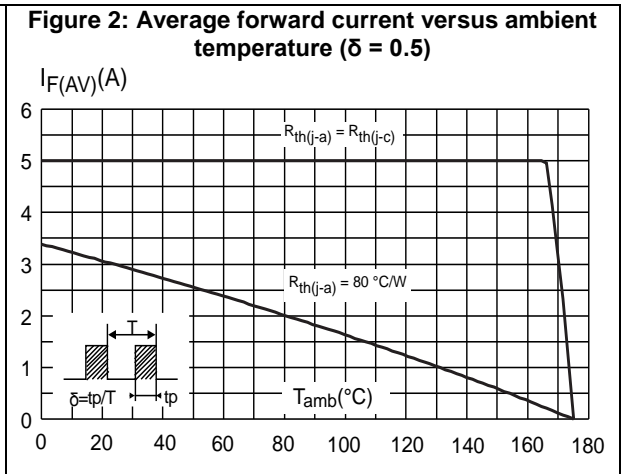
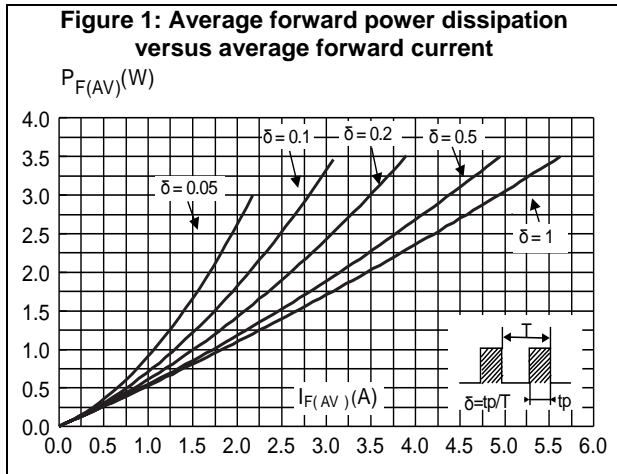


Figure 7: Forward voltage drop versus forward current (typical values)

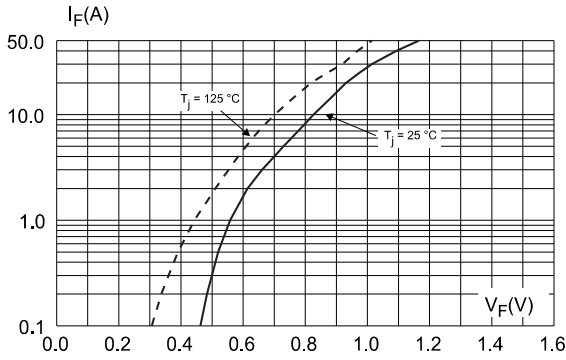
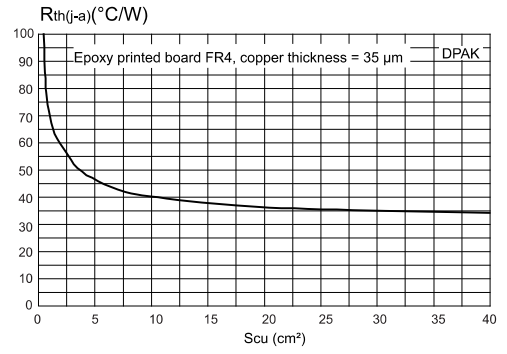


Figure 8: Thermal resistance junction to ambient versus copper surface under tab



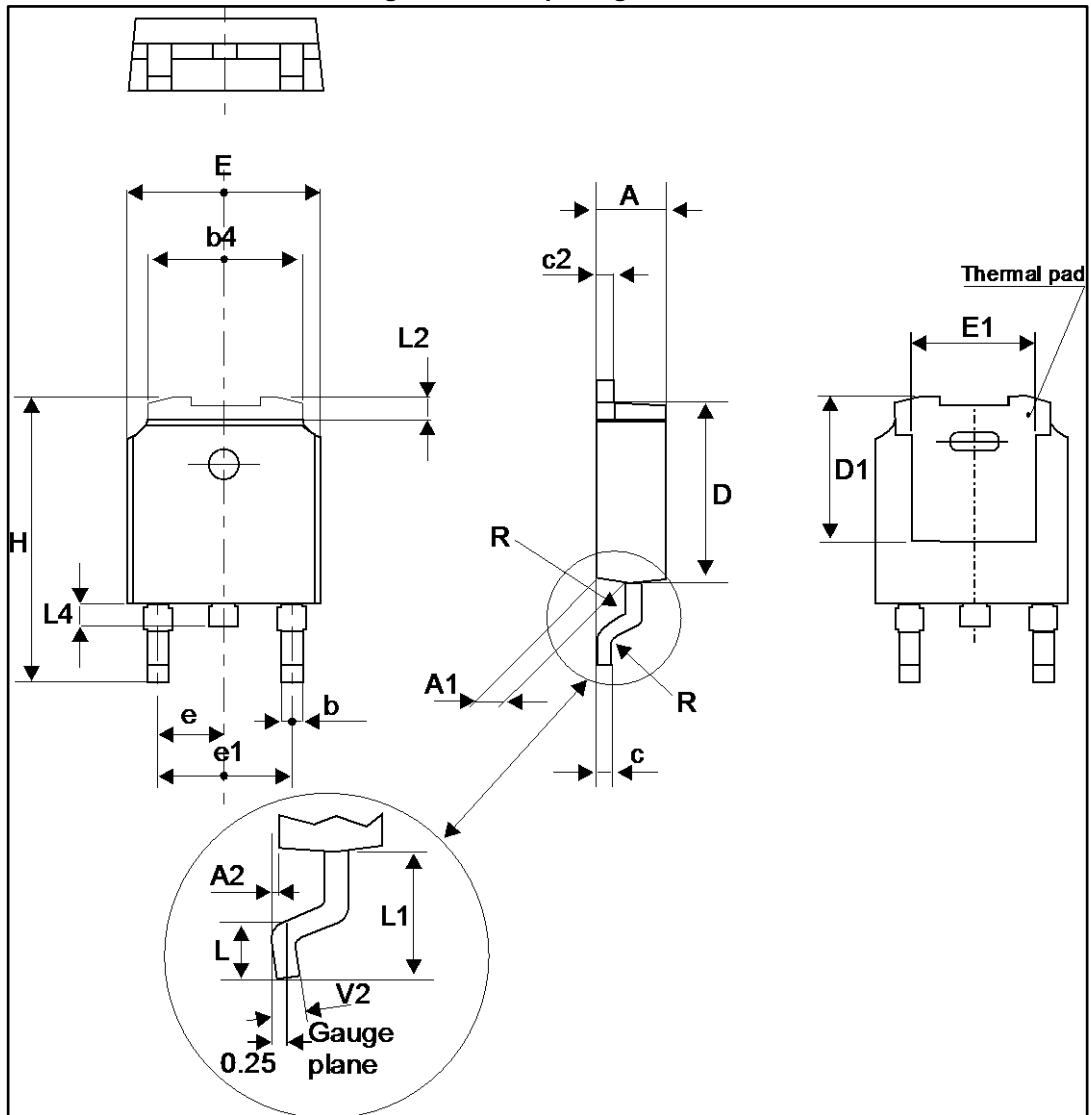
2 Package information

In order to meet environmental requirements, ST offers these devices in different grades of ECOPACK® packages, depending on their level of environmental compliance. ECOPACK® specifications, grade definitions and product status are available at: www.st.com. ECOPACK® is an ST trademark.

- Epoxy meets UL94, V0
- Cooling method: by conduction (C)

2.1 DPAK package information

Figure 9: DPAK package outline

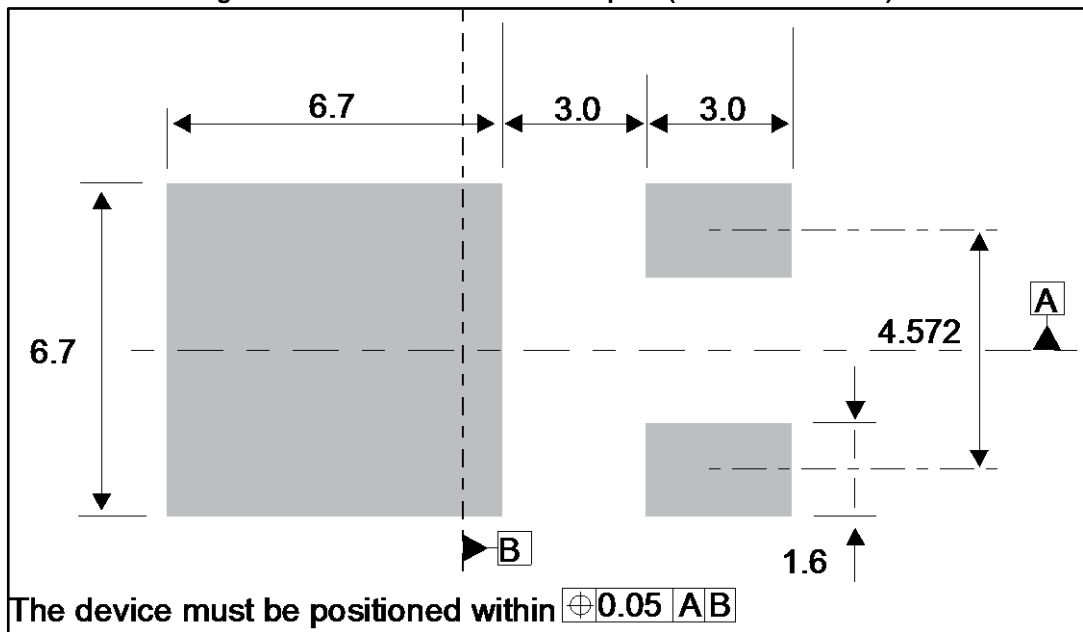


This package drawing may slightly differ from the physical package. However, all the specified dimensions are guaranteed.

Table 5: DPAK package mechanical data

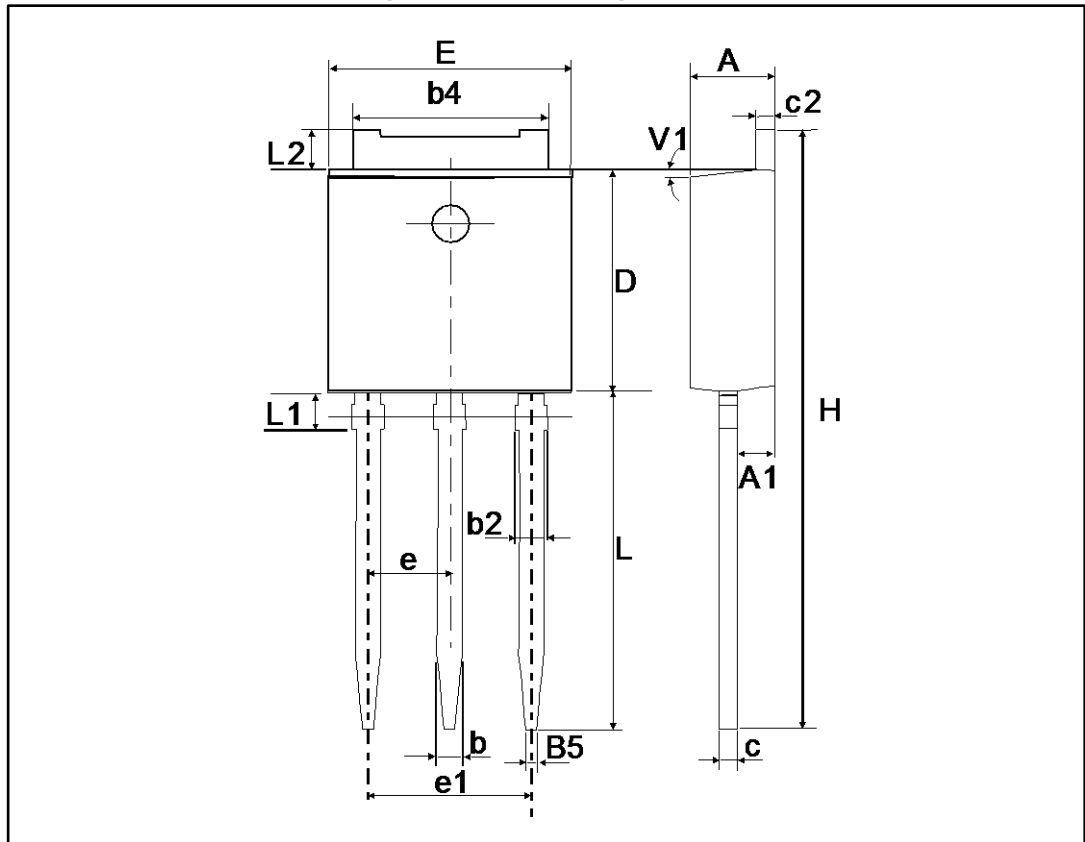
Ref.	Dimensions			
	Millimeters		Inches	
	Min.	Max.	Min.	Max.
A	2.18	2.40	0.085	0.094
A1	0.90	1.10	0.035	0.043
A2	0.03	0.23	0.001	0.009
b	0.64	0.90	0.025	0.035
b4	4.95	5.46	0.194	0.215
c	0.46	0.61	0.018	0.024
c2	0.46	0.60	0.018	0.023
D	5.97	6.22	0.235	0.244
D1	4.95	5.60	0.194	0.220
E	6.35	6.73	0.250	0.265
E1	4.32	5.50	0.170	0.216
e	2.286 typ.		0.090 typ.	
e1	4.40	4.70	0.173	0.185
H	9.35	10.40	0.368	0.409
L	1.0	1.78	0.039	0.070
L2		1.27		0.050
L4	0.60	1.02	0.023	0.040
V2	-8°	+8°	-8°	+8°

Figure 10: DPAK recommended footprint (dimensions in mm)



2.2 IPAK package information

Figure 11: IPAK package outline



This package drawing may slightly differ from the physical package. However, all the specified dimensions are guaranteed.

Table 6: IPAK package mechanical data

Ref.	Dimensions					
	Millimeters			Inches ⁽¹⁾		
	Min.	Typ.	Max.	Min.	Typ.	Max.
A	2.20		2.40	0.086		0.094
A1	0.90		1.10	0.035		0.043
b	0.64		0.90	0.025		0.035
b2			0.95			0.037
b4	5.20		5.43	0.204		0.213
B5		0.30			0.012	
c	0.45		0.60	0.017		0.023
c2	0.46		0.60	0.018		0.023
D	6.00		6.20	0.236		0.244
E	6.40		6.65	0.252		0.261
e		2.28			0.089	
e1	4.40		4.60	0.173		0.181
H		16.10			0.633	
L	9.00		9.60	0.354		0.378
L1	0.80		1.20	0.031		0.047
L2		0.80	1.25		0.031	0.049
V1		10°			10°	

Notes:

⁽¹⁾Inch dimensions are for reference only.

3 Ordering information

Table 7: Ordering information

Order code	Marking	Package	Weight	Base qty.	Delivery mode
STPS5H100B	S5 H100	DPAK	320 mg	75	Tube
STPS5H100B-TR	S5 H100			2500	Tape and reel
STPS5H100H	S5 H100H	IPAK	310 mg	75	Tube

4 Revision history

Table 8: Document revision history

Date	Revision	Changes
Jul-2003	6B	Last issue.
03-Nov-2005	7	DPAK footprint dimensions updated.
15-Feb-2006	8	ECOPACK statement added.
05-Mar-2007	9	IPAK package added.
01-Aug-2014	10	Updated DPAK package information.
17-Sep-2014	11	Updated <i>Table 2</i> , <i>title Figure 3</i> and <i>Figure 11</i> .
14-Oct-2014	12	Updated DPAK package information.
12-May-2017	13	Updated DPAK package information and reformatted to current standard.

IMPORTANT NOTICE – PLEASE READ CAREFULLY

STMicroelectronics NV and its subsidiaries ("ST") reserve the right to make changes, corrections, enhancements, modifications, and improvements to ST products and/or to this document at any time without notice. Purchasers should obtain the latest relevant information on ST products before placing orders. ST products are sold pursuant to ST's terms and conditions of sale in place at the time of order acknowledgement.

Purchasers are solely responsible for the choice, selection, and use of ST products and ST assumes no liability for application assistance or the design of Purchasers' products.

No license, express or implied, to any intellectual property right is granted by ST herein.

Resale of ST products with provisions different from the information set forth herein shall void any warranty granted by ST for such product.

ST and the ST logo are trademarks of ST. All other product or service names are the property of their respective owners.

Information in this document supersedes and replaces information previously supplied in any prior versions of this document.

© 2017 STMicroelectronics – All rights reserved